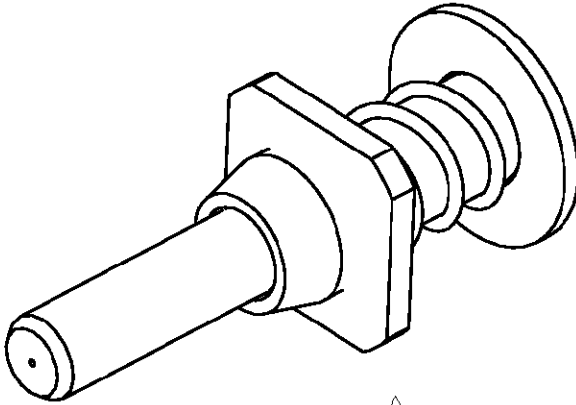




LOC CE	DIST 16	P	F	REVISIONS			
				LTR	DESCRIPTION	DATE	APPROVED
				D	REVISED PER 0A00-0491-00	26JUL00	TA/SB



- 1 FERRULE BODY: BRASS  
CAPILLARY: CERAMIC  
SPRING, WASHER AND C RING:  
STAINLESS STEEL
- 2 FERRULE BODY: NICKEL PLATING
- 3 PRODUCT TO BE BULK PACKAGED  
25pcs PER CONTAINER.
- 4 PRODUCT TO BE BULK PACKAGED  
100pcs PER CONTAINER.
- 5 DUST COVER INCLUDED, NOT SHOWN.

4	125µm CAPILLARY	501779-6
5/3	125µm CAPILLARY	501779-5
	140µm CAPILLARY	501779-3
	125µm CAPILLARY	501779-1

METRIC

FIBER SIZE

PART NUMBER

PART NO

THIS DRAWING IS UNPUBLISHED. RELEASED FOR PUBLICATION. BY AMP INCORPORATED. ALL INTERNATIONAL RIGHTS RESERVED. © COPYRIGHT 19

DO NOT SCALE PRINT. UNLESS SPECIFIED DIMENSIONS IN mm TOLERANCES ON: 2 PLC DEC ± - 3 PLC DEC ± - ANGLES ± -	DR B. BRIGGS 3-17-89
MATERIAL	CHK D. ERDMAN 3-17-89
1	APPD S. OWENS 3-17-89
	APPD S. OWENS 3-17-89
FINISH	PRODUCT SPEC -
2	APPLICATION SPEC -
	WEIGHT -

AMP INCORPORATED Harrisburg, Pa. 17105	
NAME FERRULE ASSY WITH SPRING, MULTI-MODE, FIXED SHROUD DUPLEX, OPTIMATE®	
SIZE A	FSCM NO 00779
SCALE NTS	DRAWING NO 501779
SHEET 1 OF 1	

AMP INCORPORATED Harrisburg, Pa. 17105	
NAME FERRULE ASSY WITH SPRING, MULTI-MODE, FIXED SHROUD DUPLEX, OPTIMATE®	
SIZE A	FSCM NO 00779
SCALE NTS	DRAWING NO 501779
SHEET 1 OF 1	

